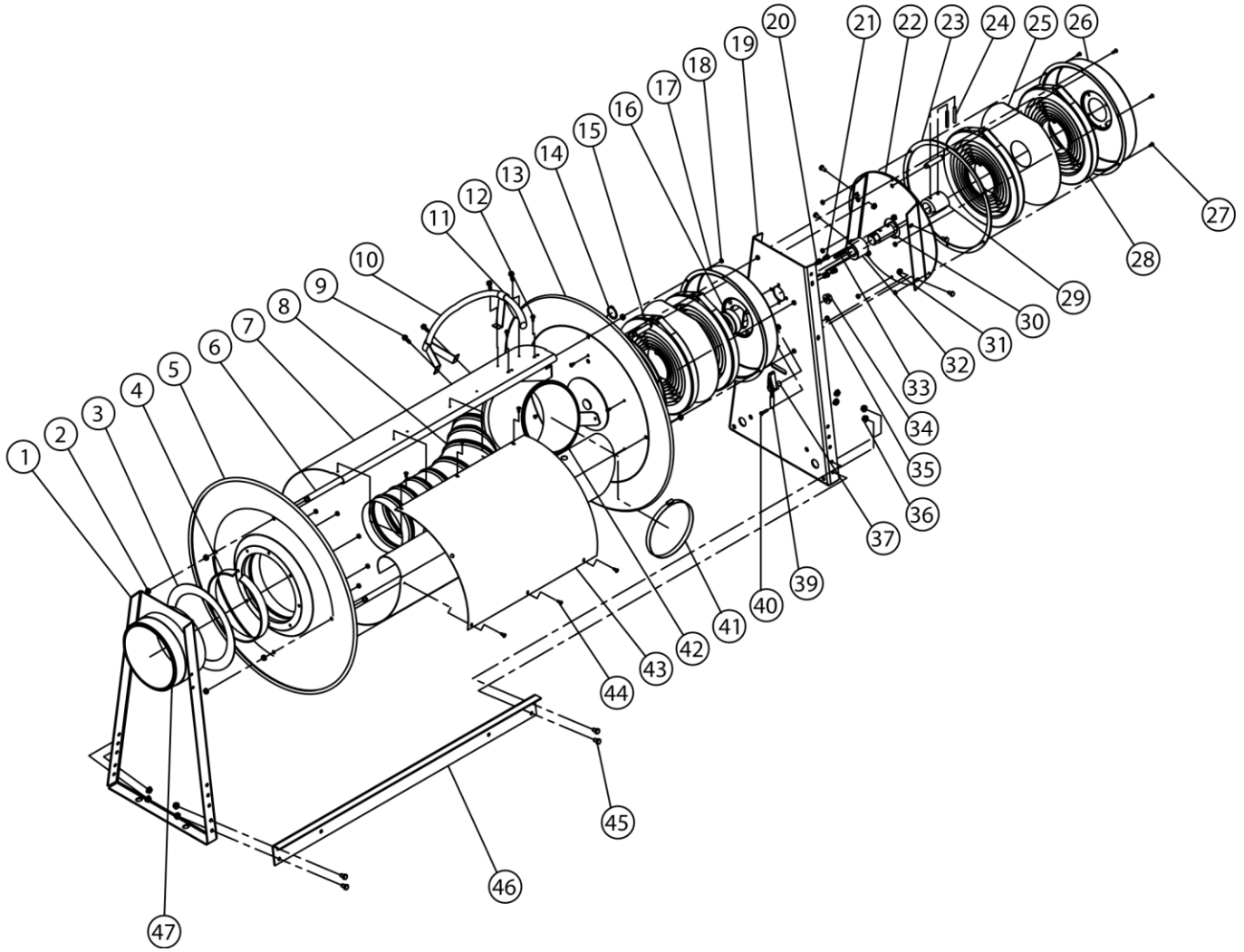


HARVEY INDUSTRIES INC. RHR SERIES Spring Driven Exhaust Hose Reels



ITEM	PART #	QTY	DESCRIPTION
1	602068	1	Side Frame Assembly
2	S85-7	8	Nut, 5/16-18
3	262034	1	Washer
4	262304	1	Wear Washer
5	602252	1	Flange Assembly
8	262286	1	Connecting Tube
9	S282-88	4	Hex Head Screw, 1/4 X 3/4"
10	260177-34	1	Tube Guide
11	260178	2	Guide Supports
12	S294-27	7	Screw 10-16 X 5/8" LG
13	600986	1	Flange Assembly
14	300007	1	Snap Ring
16	600984	1	Arbor Assembly
17	600044	1	Spring Case Assembly
19	261976	1	Side Frame
20	902016	4	Lock Washer 1/4" Medium
36	300107	8	Nut, 5/16-18
41	262286	4	Hose Clamps
42	602075-35	1	Reducer Assembly
45	S2-51	8	Screw 5/16-18 X 1/2" LG
47	262292	1	8" Adapter

ITEM	DESCRIPTION	RHR-3.5R-RHR-6R	REQ 'D	RHR-6R QUAD	REQ'D	RHR-8R QUAD	REQ'D
6	Tie Rod	260402-800	4	260402-800	4	260402-150	4
7	Sheave Spacer	260772	1	260772	1	262363	1
15	Spring Case Stud	None	N/A	260174	2	260174	2
18	Nut, 10-32 Double Serrated	300011	14	300011	20	300011	20
21	Hex Cap Screw, 1/4-20 X 1/2" LG	S56-41	4	S56-41	8	S56-41	8
22	Auxiliary Spring Case Cover	None	N/A	602397	1	602397	1
23	Spring Case Gasket	260069	1	260069	2	260069	2
24	Spring Pin	None	N/A	912328-2	2	912328-2	2
25	Spring Spacer	None	N/A	260165	2	260165	2
26	Spring Case	260169	1	260169	2	260169	2
27	Machine Screw, 10-32 X 1/2"	300002	6	300002	12	300002	12
28	Drive Spring Assembly	None	N/A	600045	4	600045	4
29	Arbor Spring	None	N/A	262288	1	262288	1
30	Arbor Shaft	None	N/A	262289	1	262289	1
31	Nut, 1/4-20	None	N/A	S281-4	4	S281-4	4
32	Collar	None	N/A	262290	1	262290	1
33	Key, 1/4" X 1/4" X 1" LG	None	N/A	390163-1	1	390163-1	1
34	Nut, 1/2-20	None	N/A	S280-8	1	S280-8	1
35	Nut, 10-32 X 7/8"	None	N/A	S82-15	1	S82-15	1
37	Latch Pawl	None	N/A	600018	1	600018	1
39	Latch Spring	None	N/A	260067	1	260067	1
40	10-32 Shoulder Screw	None	N/A	S393-2	1	S393-2	1
43	Hose Support	260748	1	260748	1	262363	1
44	Self-Tapping Screw, 10-3/8	S285-24	6	S285-24	6	S285-24	10
46	Cross Brace	262387-5	2	262387-5	2	262387-7	2